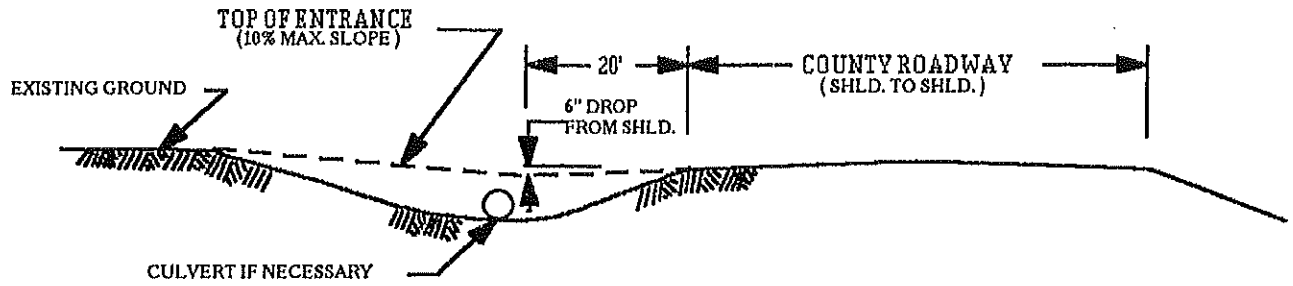
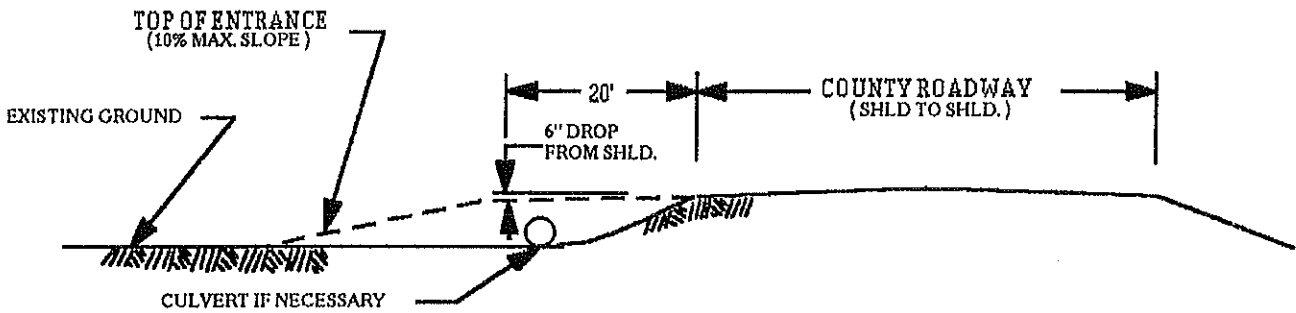


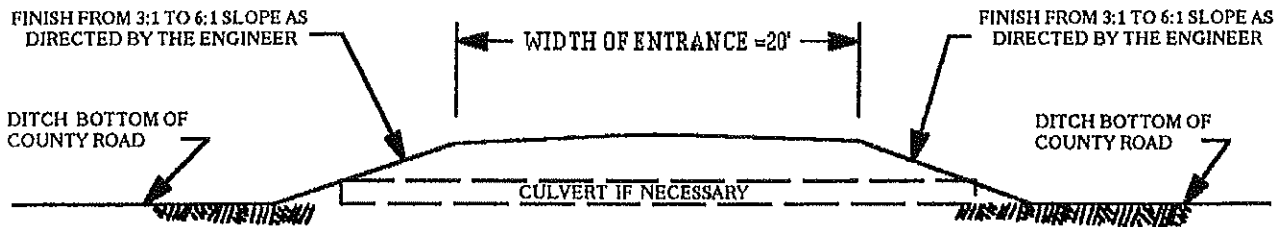
ENTRANCE CONSTRUCTION - HUBBARD COUNTY



ENTRANCE ACROSS A COUNTY ROAD DITCH



ENTRANCE WITH NO COUNTY ROAD DITCH



NOTE: ENTRANCE JUNCTION, WITHIN 40 FT. OF COUNTY ROADS, MUST BE AT RIGHT ANGLE.

ENTRANCE DIMENSIONS

TYPICAL DRIVEWAY SECTION

